

**BAD Recessed LED Prison Grade**



RECESSED FLANGE  
1x1,1x2,1x4  
2x2,2x4  
Inset Door  
Wet Location

STANDARD | OPTIONAL



**DESCRIPTION**

The BAD LED combines maximum security construction features with energy saving technology. The BAD LED is ideal for confinement/security applications. Suitable for use in inmate cells, psychiatric wards, secure corridors and general population areas. This Recessed Flange luminaire utilizes a one-piece overlapping door frame, security lensing and tamper-resistant fasteners to maximize impact-resistance and prevent contraband concealment and unauthorized fixture penetration. UL listed for damp locations.

**FASTENERS**

Stainless steel tamper-resistant T20 TORX screws standard. Allen-head screws with center reject pin optional.

**ELECTRICAL SYSTEM**

Electronic driver 120-277V.

**OPTICAL SYSTEM**

Choice of prismatic acrylic, prismatic polycarbonate or prismatic tempered glass on fixture side, clear polycarbonate or clear tempered glass on environmental side. Lens secured by thru-studs and vertically adjustable internal CRS hold-downs.

**LISTINGS**

UL listed for damp locations. Wet location under covered ceiling optional.

**MOUNTING**

Eye-bolt kit for 4-point attachment to rigid structure above, included standard. Specify optional Yoke Mounting Frame or Swing-Out Brackets.

**FINISH**

High gloss, electrostatically applied, white powder coat finish, average minimum reflectance 92%

**HOUSING**

Die-formed CRS body with welded corners to form a one-piece housing which prevents contraband concealment and unauthorized fixture penetration.

**LED**

80 CRI or 90 CRI LEDs available in 2700K, 3000K, 3500K, 4000K and 5000K. Life is 100,000 hours at 70% lumen maintenance.

**DOORFRAME GASKET**

One-piece closed cell silicone gasket seals doorframe to housing.

**HINGE**

Fixture provided with (2) stainless steel aircraft cables to attach door to housing. Concealed piano hinge optional.

**DOOR**

One-piece, CRS door frame (12, 14, 16, or 18 ga.) with die-formed edges and tightly closed corners increases rigidity. Aircraft cable secures door to housing.

**WARRANTY**

5 - Year Limited Warranty. Complete warranty and terms located at: [www.aelnow.com/warranty](http://www.aelnow.com/warranty)

Output	Delivered Lumens	System Wattage	L70 @20C (hrs)
SL	4650	33	>100K
ML	7974	57	>100K
HL	11150	80	>100K
SM	12040	86	>100K
MM	13016	93	>100K
HM	15728	112	>100K
SH	16500	118	>100K
MH	20000	143	>100K
HH	25000	179	>100K

Approximate Color Temperature Multiplier	
5000K	1.03
4000K	1
3500K	0.97
3000K	0.94
2700K	0.91

\* Delivered Lumens shown were tested with 4000K LEDs and ASR (asymmetric/symmetric grid) lens.

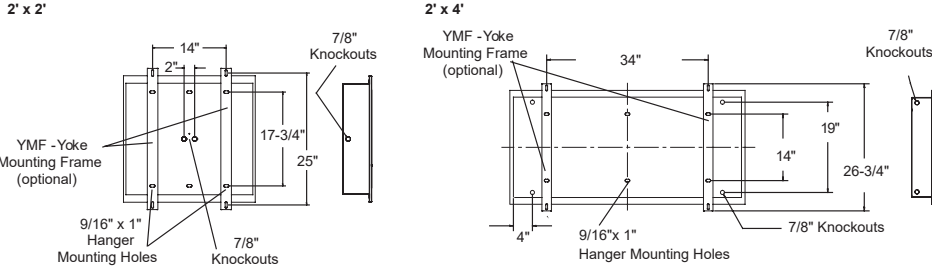
Series		CCT		Illumination Level		Housing	
<b>BAD1</b>	1x1	<b>27</b>	2700K	<b>SL</b>	Standard Low	<b>B12</b>	Cold Roll 12 Gauge Steel
<b>BAD12</b>	1x2	<b>30</b>	3000K	<b>ML</b>	Medium Low	<b>B14</b>	Cold Roll 14 Gauge Steel
<b>BAD14</b>	1x4	<b>35</b>	3500K	<b>HL</b>	High Low	<b>B16</b>	Cold Roll 16 Gauge Steel
<b>BAD22</b>	2x2	<b>40</b>	4000K	<b>SM</b>	Standard Medium	<b>B18</b>	Cold Roll 18 Gauge Steel
<b>BAD4</b>	2x4	<b>50</b>	5000K	<b>MM</b>	Medium Medium	<b>B20</b>	Cold Roll 20 Gauge Steel
				<b>HM</b>	High Medium	<b>SH14</b>	Stainless Steel 14 Gauge
				<b>SH</b>	Standard High	<b>SH16</b>	Stainless Steel 16 Gauge
				<b>MH</b>	Medium High	<b>SH18</b>	Stainless Steel 18 Gauge
				<b>HH</b>	High High	<b>SH20</b>	Stainless Steel 20 Gauge

Door Type		Outer Lens		Inner Lens	
<b>B12</b>	Cold Roll 12 Gauge Steel	<b>N</b>	No Lens	<b>N</b>	No Lens
<b>B14</b>	Cold Roll 14 Gauge Steel	<b>125P</b>	.125 Clear Poly.	<b>125C</b>	.125 Pris. Acrylic
<b>B16</b>	Cold Roll 16 Gauge Steel	<b>156P</b>	.156 Clear Poly.	<b>CP25</b>	.125 Pris. Poly.
<b>B18</b>	Cold Roll 18 Gauge Steel	<b>187P</b>	.187 Clear Poly.	<b>CP87</b>	.187 Pris. Poly.
<b>B20</b>	Cold Roll 20 Gauge Steel	<b>25P</b>	.250 Clear Poly.	<b>TG</b>	.156 Pris. Temp. Glass
<b>SH14</b>	Stainless Steel 14 Gauge	<b>375P</b>	.375 Clear Poly.	<b>156C</b>	.156 Pris. Acrylic
<b>SH16</b>	Stainless Steel 16 Gauge	<b>F1</b>	.187 Clear Temp.Glass	<b>G2</b>	.140 DR Acrylic
<b>SH18</b>	Stainless Steel 18 Gauge	<b>G1</b>	.250 Clear Temp.Glass	<b>H2</b>	.125 White Frosted Polycarbonate
<b>SH20</b>	Stainless Steel 20 Gauge	<b>H1</b>	.375 Clear Temp.Glass	<b>FA</b>	.125 Frosted Acrylic

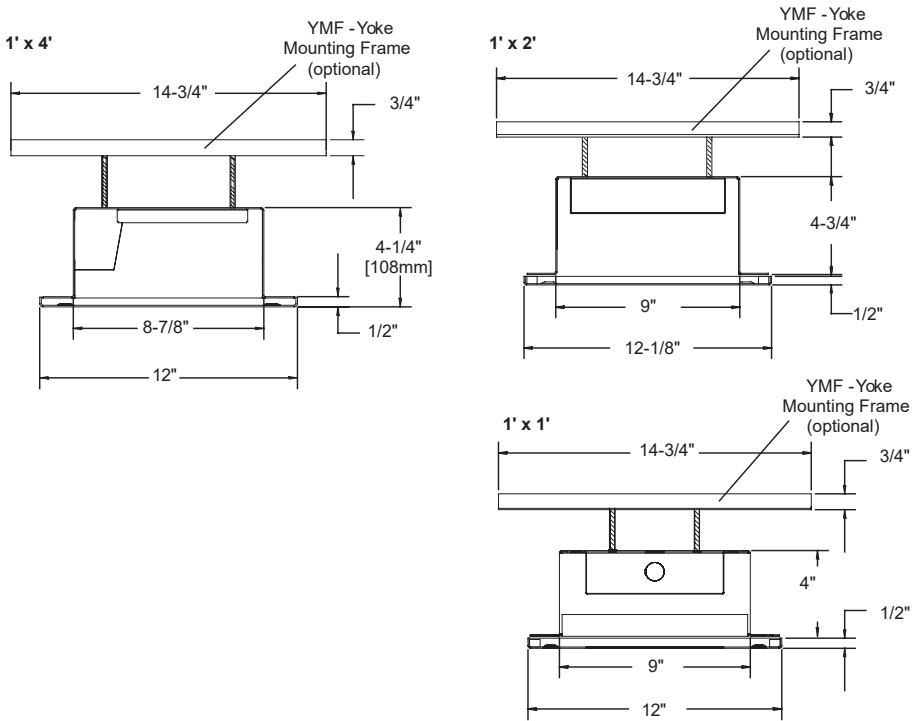
SERIES NO. CONTINUED...

Voltage		Driver		Options	
<b>M</b>	120/277V	<b>SD</b>	Step Dimming	<b>12EBL</b>	1200 Lumen Emergency Ballast
		<b>EDD1</b>	Electronic Driver 1-10V Dimming 10%	<b>AH</b>	Allenhead Screws with center pin reject
		<b>EDD0</b>	Electronic Driver 0-10V Dimming 1%	<b>LN</b>	LED Night Light. Consult factory for available color/temps
		<b>LDE1</b>	Lutron Hi-lume 1% EcoSystem LED Driver with Soft-on, Fade-to-Black	<b>FZ</b>	Fuse Holder
		<b>LDE5</b>	Lutron 5-Series EcoSystem LED Driver	<b>WL</b>	Wet Location
				<b>UV</b>	.005 UV Absorbing Overlay
				<b>PF</b>	Plaster Frame & Yoke
				<b>CB</b>	Cross Bar
				<b>PH</b>	16 Gauge Full Length Piano Hinge Door Frame
				<b>B14</b>	Cold Roll 14 Gauge Steel Housing
				<b>AP</b>	Anti-microbial Matte White Finish
				<b>VDO</b>	Lutron Vive Integral RF controller with daylight and occupancy sensing.
				<b>120FCJSO</b>	Lutron Vive attached RF fixture controller 0-10V/277V

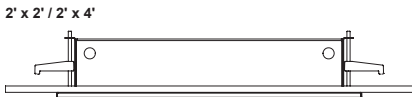
**2' WIDTH TYPICAL MOUNTING DETAIL / SHOWN WITH OPTIONAL YOKE MOUNTING FRAME - YMF**



**1' WIDTH CROSS-SECTION DIMENSIONS / SHOWN WITH OPTIONAL YOKE MOUNTING FRAME - YMF**



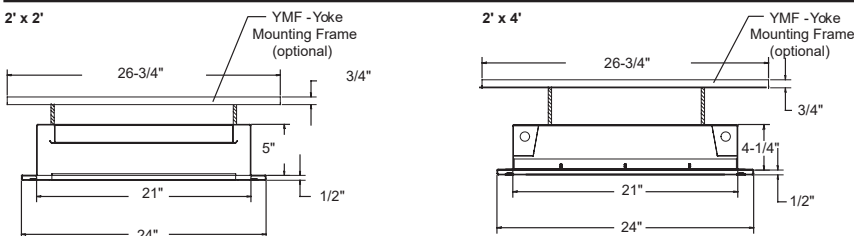
**2' WIDTH OPTIONAL SWING-OUT BRACKET (SWBR)**



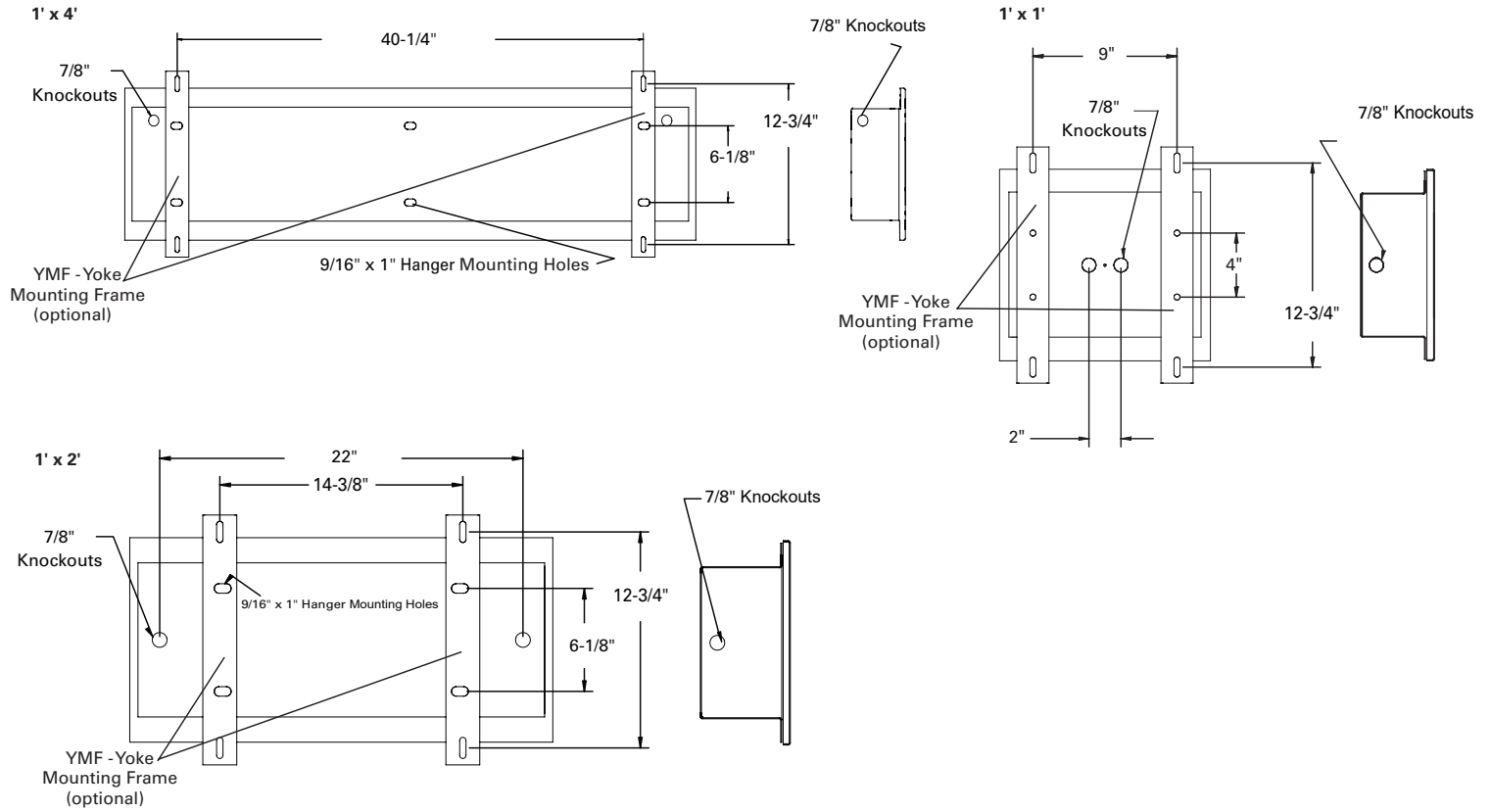
**2' WIDTH CEILING CUTOUT DIMENSIONS**

Ceiling Cutout	Width	Length
2' x 2'	23-1/4"	24-1/4"
2' x 4'	23-1/4"	48-1/4"

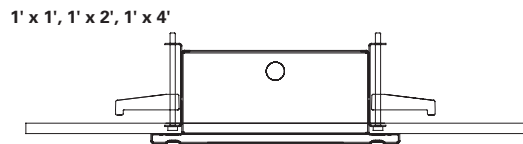
**2' WIDTH CROSS-SECTION DIMENSIONS / SHOWN WITH OPTIONAL YOKE MOUNTING FRAME - YMF**



**1' WIDTH TYPICAL MOUNTING DETAIL / SHOWN WITH OPTIONAL YOKE MOUNTING FRAME - YMF**



**1' WIDTH OPTIONAL SWING-OUT BRACKET (SWBR)**



**1' WIDTH CEILING CUTOUT DIMENSIONS**

Ceiling Cutout	Width	Length
1' x 1'	10-1/2"	12-1/2"
1' x 2'	10-1/2"	24-1/2"
1' x 4'	10-1/2"	48-1/2"