



CATALOG #:
PROJECT:
TYPE:

## BAC RECESSED PRISON GRADE LED



The **BAC** is a specification grade maximum security recessed luminaire. Designed and engineered for maximum security prison applications, the BAC is available in 1x1, 1x2, 1x4, 2x2, and 2x4 sizes. Our custom designed fixture is also Ligature Resistant.

**HOUSING:** Die formed, seam welded, and ground smooth (specify material and gauge). Incorporates a removable reflector unitized with all electrical components for easy installation and maintenance. Die formed one-piece frame with tightly closed corners (material and gauge to match housing).

**DOORFRAME:** Various doorframe materials available. Comes standard with a white TGIC polyester powder coat – 5-stage pre-treatment. Salt spray test: 1,000 hours; Reflectance: 92%. Doorframe secured to housing with stainless steel aircraft cables and tamper proof fasteners. Ligature Resistant is standard with inset doors, but not available on overlap doors.

**TAMPER-PROOF FASTENERS:** Tamper resistant T25 Torx head fasteners secure the doorframe to the housing. Optional allenhead screws with center pin reject.

**ELECTRICAL SYSTEM:** Electronic driver 0-10V, 1% dimming standard. Additional driver options available. Long-life LED system rated for >100K hours (L70 @ 45°C). Complies with federal energy efficiency standards.

**OPTICAL SYSTEM:** Inner lens for LED diffusion, and outer lens for impact resistance. Lenses ordered per specification (see options) and secured by retainers with weld studs for maximum strength.

**LISTINGS:** Optional IP65 with Wet Location Option. ETL listed.

**MOUNTING:** Recessed grid and recessed flanged applications. Easy installation with adjustable 90° swing arm system standard. Universal mounting allows for both recessed flanged and recessed grid mounting.

**LED:** 80 CRI or 90 CRI LEDs available in 2700K, 3000K, 3500K, 4000K and 5000K. Life is >100,000 hours at 70% lumen maintenance.

**WARRANTY:** 5-Year Limited Warranty. Complete warranty and terms located at: [www.aelnow.com/warranty](http://www.aelnow.com/warranty)

Ordering Information on Next Page ►

## ORDERING INFORMATION:

Example: BAC-24-40-20L-B14-B14-INS-PA125-250P-M-LN

SERIES	SIZE	CCT	OUTPUT	HOUSING MATERIAL	DOOR TYPE	DOOR TYPE
BAC	11 1x1	27 2700K		B12 12 Gauge Cold Roll Steel	B14 14 Gauge Cold Roll Steel	INS Inset Door*
	12 1x2	30 3000K		B14 14 Gauge Cold Roll Steel	B16 16 Gauge Cold Roll Steel	OVL Overlap Door
	14 1x4	35 3500K		B16 16 Gauge Cold Roll Steel	B18 18 Gauge Cold Roll Steel	*Anti-Ligature only available with Inset Door, and the use of pick-proof sealant.
	22 2x2	40 4000K		B18 18 Gauge Cold Roll Steel	B20 20 Gauge Cold Roll Steel	
	24 2x4	50 5000K		B20 20 Gauge Cold Roll Steel	SH14 14 Gauge Stainless Steel	
				11L 11000 Lumens	SH16 16 Gauge Stainless Steel	
				12L 12000 Lumens	SH18 18 Gauge Stainless Steel	
				13L 13000 Lumens		
				15L 15000 Lumens		
				17L 17000 Lumens		
				20L 20000 Lumens		
				25L 25000 Lumens		
				XX Custom Lumens		

INNER LENS		OUTER LENS		VOLTAGE		DRIVER		OPTIONS	
N	No Lens	125P	.125 Clear Polycarbonate	M	120/277V	BLANK	0-10V 1% Dimming Driver (included standard)	14EBL	14 Watt Emergency Ballast
PA125	.125 Prismatic Acrylic (inverted)	156P	.156 Clear Polycarbonate	HV	347-480VAC	CD5	0-10V 5% to Off Dimming Driver	AH	Allenhead Screws with center pin reject
PA156	.156 Prismatic Acrylic (inverted)	187P	.187 Clear Polycarbonate			EDN	Electronic Driver Non-Dimming	LN	LED Night Light. Consult factory for available color/temps
PP125	.125 Prismatic Polycarbonate (inverted)	250P	.250 Clear Polycarbonate			DALI	1% Dimming Driver	FZ	Fuse Holder
PP187	.187 Prismatic Polycarbonate (inverted)	375P	.375 Clear Polycarbonate			LDE1	Lutron Hi-lume 1% EcoSystem LED driver with Soft-on, Fade-to-Black dimming technology	WL	Wet Location**
CTG/PA	Clear Tempered Glass with Prismatic Acrylic Overlay	CTG187	.187 Clear Tempered Glass					UV	.005 UV Absorbing Overlay
FA	Frosted Acrylic	CTG250	.250 Clear Tempered Glass					PH	Piano Hinge Door Frame
125P	.125 Clear Polycarbonate	CTG375	.375 Clear Tempered Glass					AM	Anti-microbial Matte White Finish
156P	.156 Clear Polycarbonate	CTG500	.500 Clear Tempered Glass					90	90 CRI
187P	.187 Clear Polycarbonate							VDO	VDO Lutron Vive Integral RF controller with daylight and occupancy sensing.
SY	Symmetric Diffused DR Acrylic								

\*\*For Wet Location, pick-proof sealant caulk must be used.

Dimensions on Next Page

### ENERGY AND PERFORMANCE DATA

INPUT VOLTAGE:	120/277VAC
SYSTEM INPUT POWER:	6.3 - 156.3 WATTS*
DELIVERED LUMEN OUTPUT:	1000 - 25000 LUMENS
STANDARD DIMMING CONTROL:	0-10V
CCT:	2700, 3500, 4000, 5000 KELVIN
CRI:	80 (MINIMUM)
LIFE TIME RATING:	>100,000 HRS @ L70
INPUT FREQUENCY:	50/60 HZ
POWER FACTOR:	>0.9
OPERATING TEMP:	-30° TO 50° C

APPROXIMATE COLOR TEMPERATURE MULTIPLIER		
5000K	X	1.03
4000K	X	1
3500K	X	.97
3000K	X	.94
2700K	X	.91

OUTPUT	DELIVERED LUMENS	WATTS	L70 @20C (HRS)
1L	1000 LUMENS	6.3	>100K
2L	2000 LUMENS	12.6	>100K
4L	4000 LUMENS	25.0	>100K
7L	7000 LUMENS	43.8	>100K
11L	11000 LUMENS	68.8	>100K
12L	12000 LUMENS	75.0	>100K
13L	13000 LUMENS	81.3	>100K
15L	15000 LUMENS	93.8	>100K
16L	16000 LUMENS	100.0	>100K
20L	20000 LUMENS	125.0	>100K
25L	25000 LUMENS	156.3	>100K

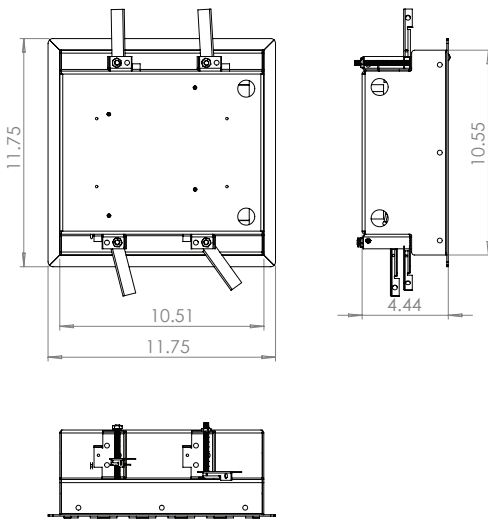
\*ACTUAL WATTAGE MAY DIFFER BY ±5% WHILE OPERATING 120/277V ±10%



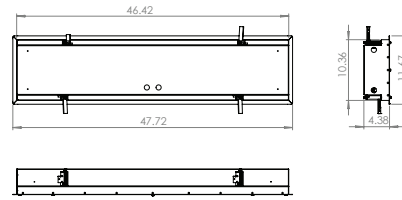
**ROUGH IN SIZE LISTED BELOW.**  
Please pay careful attention to these dimensions.

## DIMENSIONS

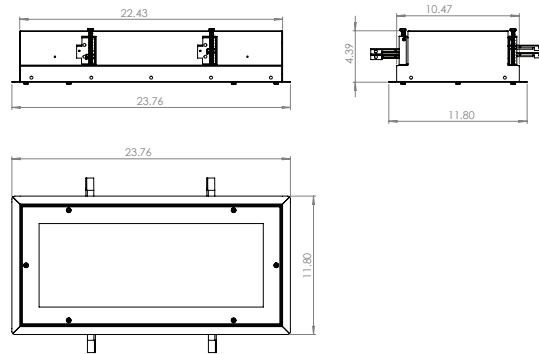
**1x1**  
**ROUGH IN SIZE** TO BE 10 13/16" X 10 3/4"



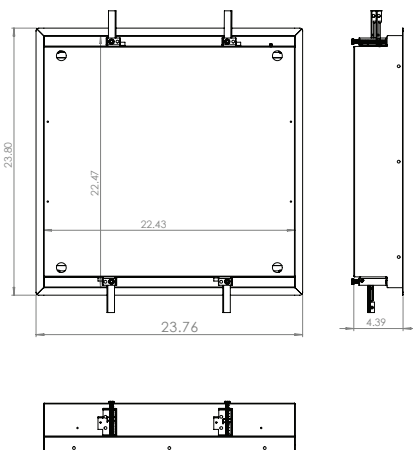
**1x4**  
**ROUGH IN SIZE** TO BE 46 11/16" X 10 5/8"



**1x2**  
**ROUGH IN SIZE** TO BE 22 11/16" X 10 5/8"



**2x2**  
**ROUGH IN SIZE** TO BE 22 5/8" X 22 5/8"



**2x4**  
**ROUGH IN SIZE** TO BE 46 5/8" X 22 11/16"

